

# WOODCREST MFG.

## WOODCREST CERTIFIES

THIS BUNK BED MODEL HAS BEEN TESTED BY AN INDEPENDENT LABORATORY AND IS IN COMPLIANCE WITH ASTM F-1427 STANDARD CONSUMER SAFETY SPECIFICATION FOR BUNK BEDS AND CODE OF FEDERAL REGULATIONS (CFR) 1213 "SAFETY STANDARDS FOR ENTRAPMENT HAZARDS IN BUNK BEDS" AND CODE (CFR) 1513 REQUIREMENTS FOR BUNK BEDS"

\* \* \* \* \*  
MADE IN U.S.A.  
BUY AMERICAN

SOME EXCESS PARTS MAY BE INCLUDED.

MODELS: F-22/F-33

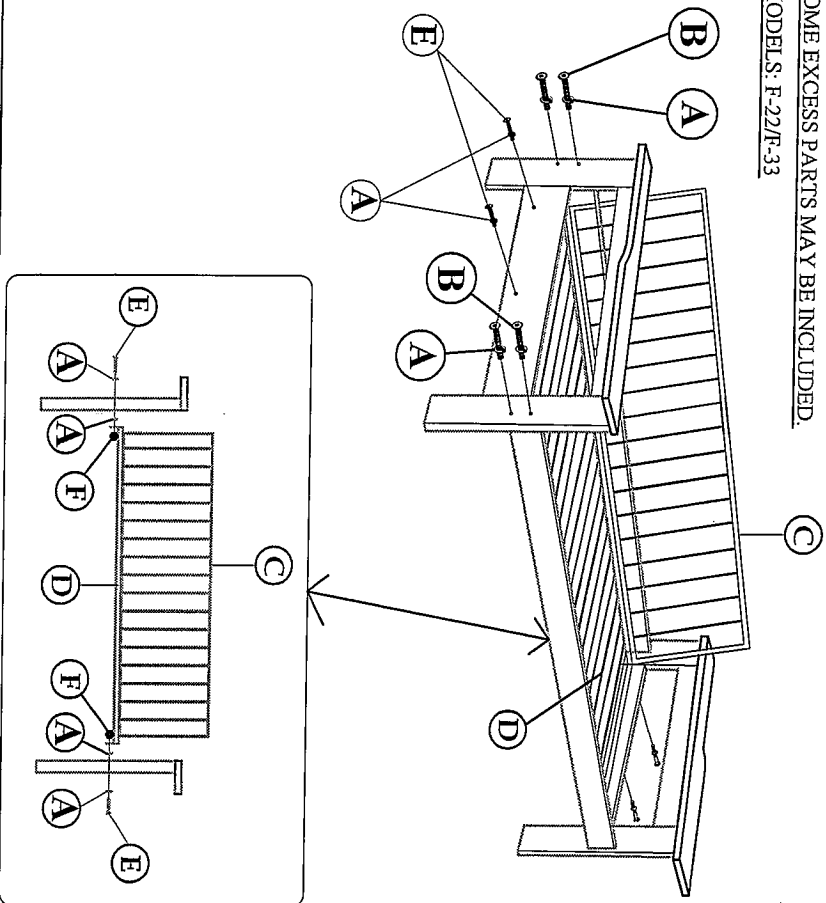
## REPLACEMENT PARTS

REPLACEMENT PARTS, INCLUDING ADDITIONAL GUARD RAILS, MAY BE OBTAINED FROM ANY OF OUR WOODCREST DEALERS.

F 22 / F 33

## SAFETY WARNINGS

- 1) FOLLOW THE INFORMATION ON THE WARNINGS APPEARING ON THE UPPER BUNK END STRUCTURE AND ON THE CARTON. DO NOT REMOVE WARNING LABEL FROM BED.
- 2) ALWAYS USE THE RECOMMENDED SIZE MATTRESS OR MATTRESS SUPPORT OR BOTH TO PREVENT THE LIKELIHOOD OF ENTRAPMENT OR FALLS.
- 3) SURFACE OF MATTRESS MUST BE AT LEAST 5" BELOW THE UPPER EDGE OF THE GUARDRAILS.
- 4) DO NOT ALLOW CHILDREN UNDER 6" YEARS OF AGE TO USE THE UPPER BUNK.
- 5) PERIODICALLY CHECK TO ENSURE THAT THE GUARDRAILS, THE LADDER, AND OTHER COMPONENTS ARE IN THEIR PROPER POSITION, FREE FROM DAMAGE, AND THAT ALL CONNECTIONS ARE TIGHT.
- 6) DO NOT ALLOW HORSEPLAY ON OR UNDER THE BED AND PROHIBIT JUMPING ON THE BED.
- 7) ALWAYS USE THE LADDER FOR ENTERING AND LEAVING THE UPPER BUNK.
- 8) DO NOT SUBSTITUTE PARTS. CONTACT THE MANUFACTURER OR DEALER FOR REPLACEMENT PARTS.
- 9) USE OF A NIGHTLIGHT MAY PROVIDE ADDED SAFETY PRECAUTION FOR A CHILD USING THE UPPER BUNK.
- 10) ALWAYS USE GUARDRAILS ON BOTH LONG SIDE OF UPPER BUNK.
- 11) THE USE OF WATER OR SLEEP FLOTATION MATTRESS IS PROHIBITED.
- 12) PROHIBIT MORE THAN ONE PERSON ON THE UPPER BUNK.
- 13) KEEP THESE INSTRUCTIONS FOR FURTHER REFERENCE.
- 14) IF THE BUNK BED WILL BE PLACED NEXT TO A WALL THE GUARDRAIL THAT RUNS THE FULL LENGTH OF THE BED SHOULD BE PLACED AGAINST THE WALL TO PREVENT ENTRAPMENT BETWEEN THE BED AND WALL.  
STRANGULATION HAZARD
- 15) NEVER ATTACH OR HANG ITEMS TO ANY PART OF THE BUNK BED THAT ARE NOT DESIGNED FOR USE WITH THE BED FOR EXAMPLE, BUT NOT LIMITED TO HOOKS, BELTS, AND JUMP ROPES.



**\*\*BUNK BEDS THAT LAST MADE IN THE U.S.A.\*\***

# WOODCREST MFG.

150 WASHINGTON AVE. P.O. BOX 848 PERU, IN. 46970 PHONE# 765-472-4471

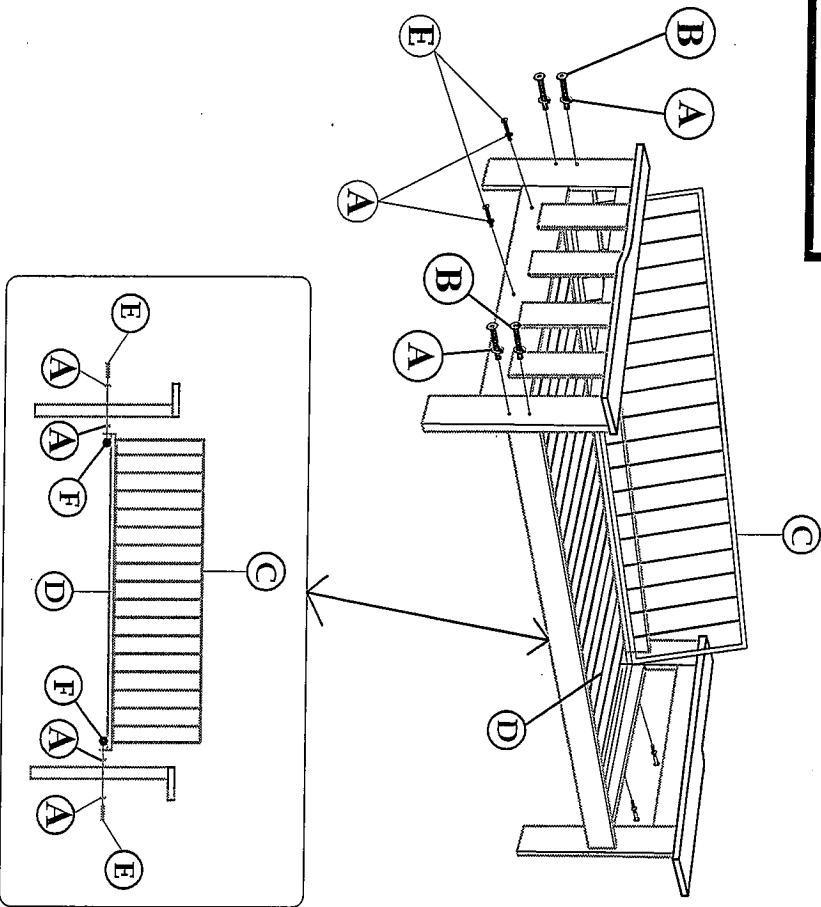
WOODCREST BUNK BEDS

MODEL # F-22/E-33 FUTON ASSEMBLY INSTRUCTIONS

F 2 2 / F 3 3

**TOOLS REQUIRED**  
 7/16" SOCKET OR NUT DRIVER  
 PHILLIPS HEAD SCREWDRIVER  
 HAMMER

PARTS	
A. 1/4" FLAT WASHERS	16
B. 3 1/2" LAG BOLTS	8
C. BACK DECK	1
D. SEAT DECK	1
E. 2" BOLTS	4
F. 1/4" STOP NUTS	4



1) SIDE RAILS- POSITION SIDE RAILS TO LOWER END FRAME ASSEMBLY WITH LAG BOLTS (B) AND FLAT WASHERS (A).  
 NOTE: FUTON FRAME HAVE HOLES DRILLED TO ATTACH METAL FUTON MECHANISM. HOLES WITH "BACK" STAMP GOES CLOSEST TO WALL.

2) ATTACH RIGHT AND LEFT FUTON MECHANISM USING HARDWARE (A, E, F.) PROVIDED IN RAIL PACKAGE. WHEN FACING FUTON, WITH HOLES STAMPED "BACK" ARE FARTHEST AWAY FROM YOU, MECHANISM STAMPED "L" GOES ON THE LEFT AND "R" GOES ON THE RIGHT. PLACE THE 2" BOLTS (E) AND WASHER (A) THROUGH HOLES IN END FRAME, THEN TIGHTEN WITH 1/4" STOP NUT (F).

3) USING HARDWARE AND INSTRUCTIONS PROVIDED WITH METAL DECK, AFFIX METAL DECK TO THE METAL MECHANISM USING BLACK BOLTS, WASHERS, LOCK NUTS.  
 NOTE: SEAT DECK HAS TWO HANDLES WHICH FACE UPWARDS DURING ASSEMBLY.

**\*\*BUNK BEDS THAT LAST MADE IN THE U.S.A.\*\***